

River - F

Underground Water Detector



GERMAN INDUSTRY
WWW.GERDETECT.DE



Critical Warning

...

Please be sure that all precautions taken against risks

Do not use your device while it is raining or on extremely wet floor

Turn on your device after you make sure that all parts are in place

Make sure that the device battery is fully charged before searching

If the battery start to give a peep sound, close the device and recharge the battery

Do not start the pulse induction system without connecting the coil cable to the device, other ways the device will stop in the middle of opening

It is recommended to read the user manual before start working on the device to understand everything and to avoid mistakes doing the search

After the device start make sound and turn off automatically put the battery on charge and do not try to start the device without charging the battery

RIVER - F

... WATER DETECTOR ...



Overview

- Dear customer, thank you for choosing RIVER – F WATER DETECTOR
- This product enables you to detect the presence of underground water & artesian wells
- RIVER – F designed to help you discover water & walls under the ground
- In addition, it can confirm your target and identify the type of water with the depth

Be aware of high voltage resources, and do not use any charger other than the original charger that come with the device

Main unit of the device is under warranty against all electronic breakdowns for two (2) years

Any damages caused by user errors (laying open the main unit, hits, harms etc.) are not within this warranty

Battery and antenna are also not within this warranty

You should follow the instructions in this user manual strictly to minimize the faults and to use your device correctly

1

The Long Range System

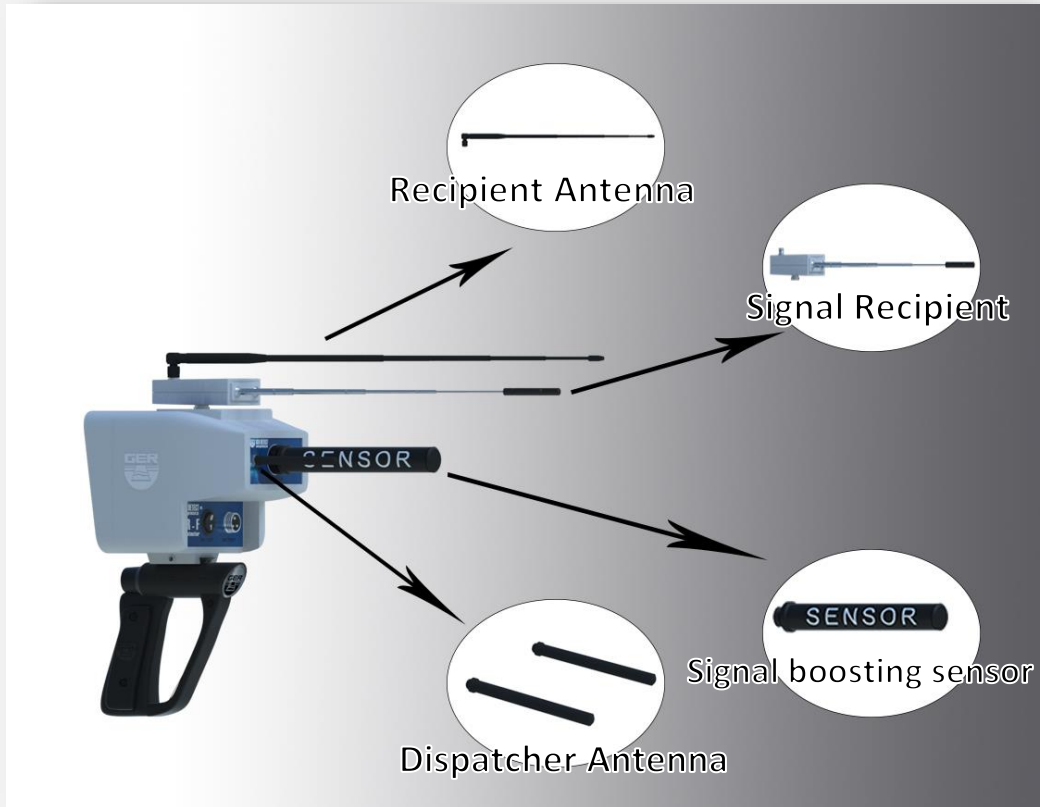


Figure (1) the long-range system components

This system specializes to cover vast areas and locate the target with in 1 meter Square up to depths of 1200 meters below the surface of the ground and Front Range up to 3,000 square meters.

The long-range system parts

Connect the handle
to the device



Figure (1) The handle

Connect the signal boosting sensor



Figure (2) boosting sensor

Connect the transmitter antennas



Figure (3): Transmitter antennas

Connect the Signal Recipient

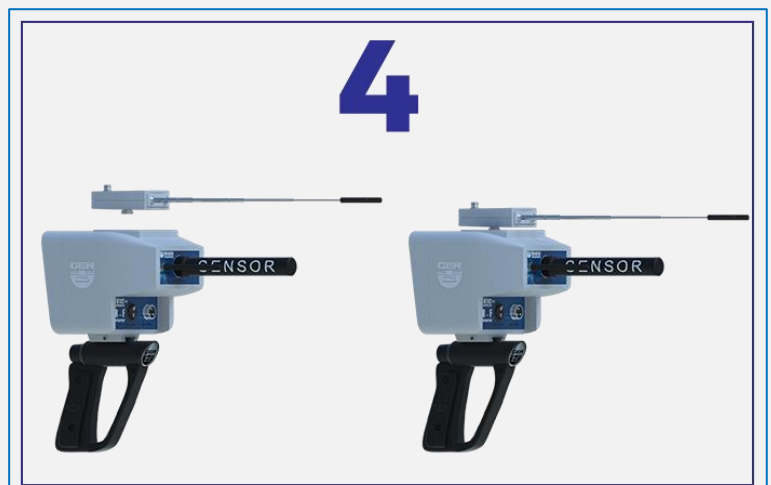


Figure (4): Signal Recipient

Connect the Recipient
Antenna

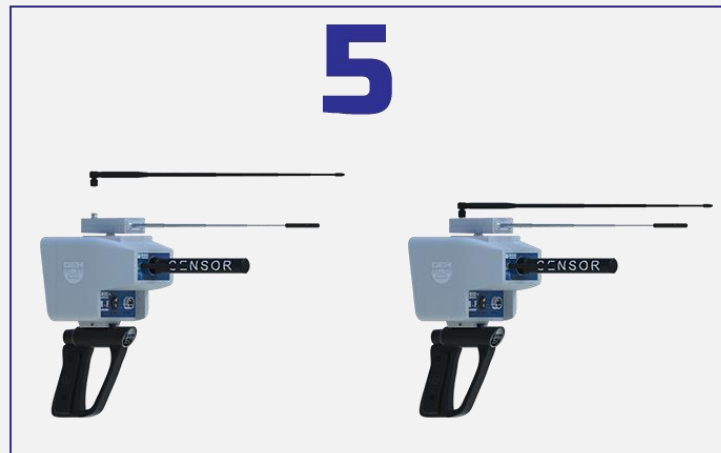


Figure (4): Recipient Antenna

- Connect the battery
cable and
Switch the device
through **ON / OFF** button



Figure (5): (ON / OFF) button



Figure (6): languages list

CLICK ON THE SCREEN OF THE DEVICE TO DISPLAY THE LANGUAGES LIST

THE DEVICE WORKS ON FOUR LANGUAGES:

(GERMAN - ENGLISH - FRENCH - SPANISH - ITALIAN - ARABIC)



Settings menu (Sound Adjustment – brightness adjustment, and the device information)



Figure (9): Front Range Options

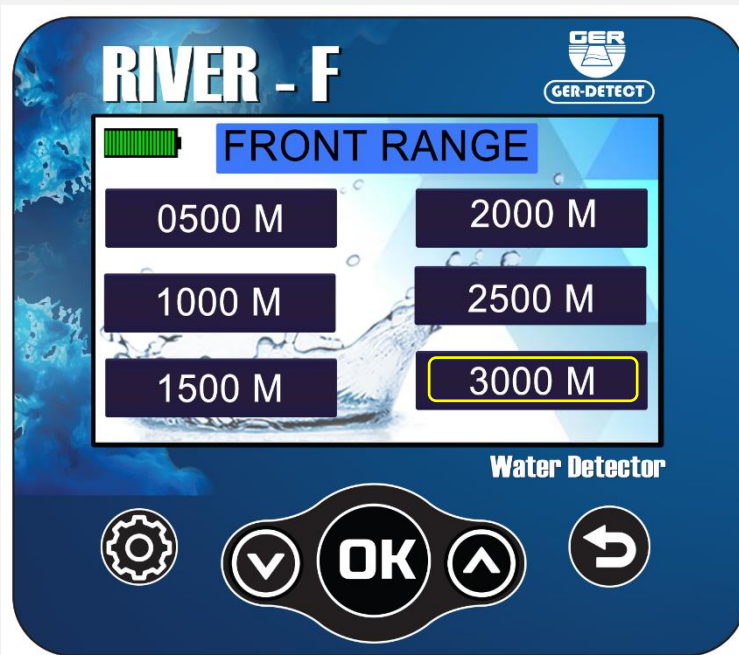
After selecting the language, you want to work in (English for example)

The water types menu will appear Select natural water for example; choose the water type to be search for from a list of options through pressing on the type name,

(**NATURAL WATER FOR EXAMPLE**)



Select the type of soil desired in the search area:
(natural - clay - rocky - sandy - mixed - mineralized).



Increase the length of the antennas receiving a signal
To able the device to detects targets even to **3000 meters**



After selecting the Front Range, the digital compass will appear, Fix the device at a 90-degree angle for the compass to work properly, then Press the "Skip" button on the screen or the "OK" button on the keyboard.

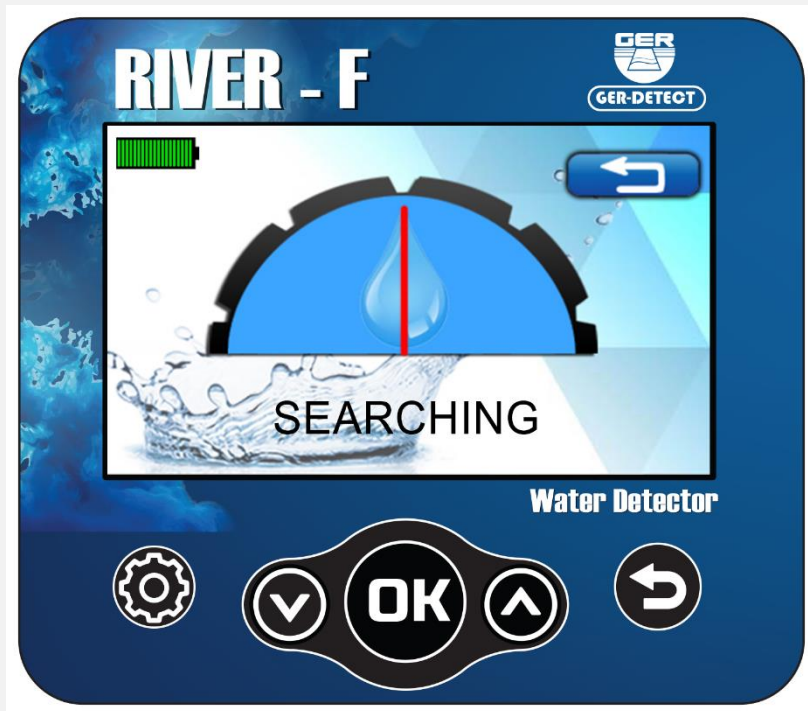


Figure (10): search screen

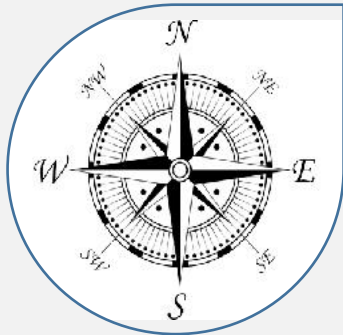
After pressing on skip button, the light signals will appear directly on the screen confirming that the device is sending and receiving signals that guide you directly towards the target.

When a signal is captured, the device will immediately turn around towards the target.

On the smart screen, there will appear the direction of the detected target alongside a beep at the location of the target.



Figure (11): Increasing the length of the antennas



North to South

South to North

East to West

West to East

After detecting the target, confirm the target from four directions

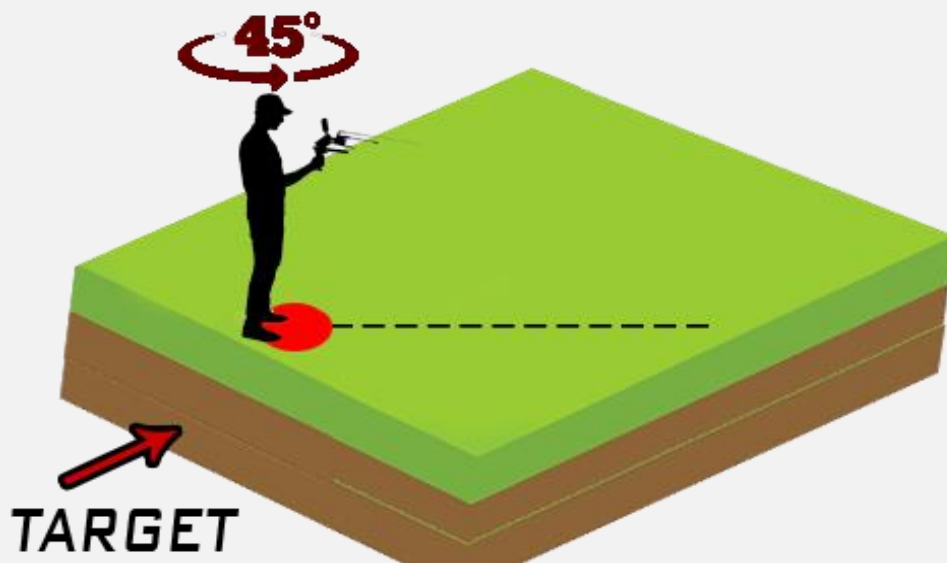
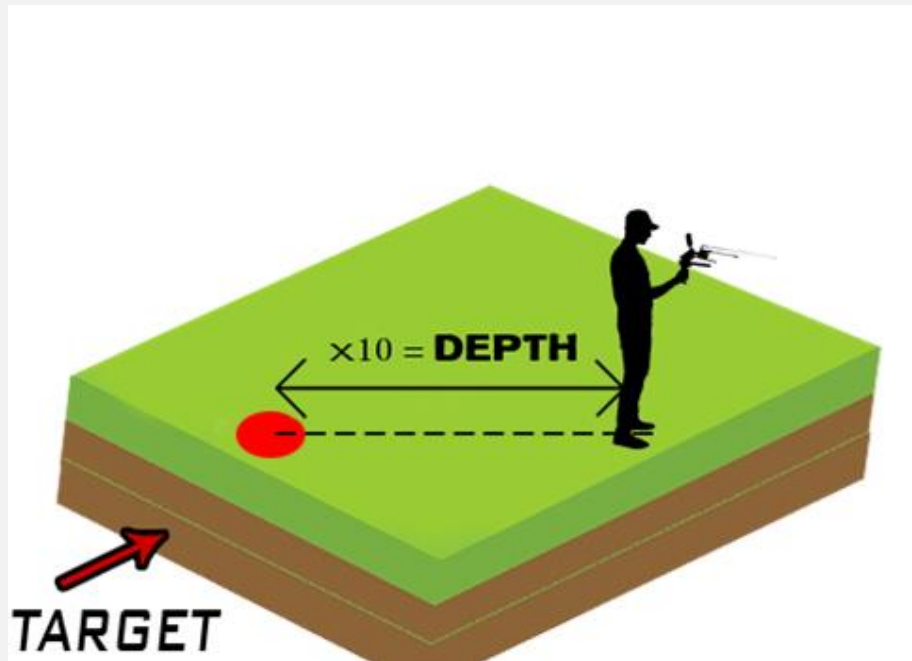


Figure (14): determine the depth

To determine the depth of the discovered target, stand above target and turn **45 degrees**

Walk straight ahead until the antenna reverse to the back



Measure the distance between the antennas reversing back and the target center point.

The distance between the antennas reversing back and the center point is equal the target depth

For **example**, if the distance is **10 m** the depth of the target is **100**.

Note:

You should avoid using the machine during rain and must wait for 15 days at least after the rain stopped until the soil dry out then you can use the device

Thanks for choosing our products



We wish you the best of luck in your searching

www.gerdetect.de



Warning

If you want the device work well without errors you have to follow next steps

When using the device please do not wear the watch



When using the device please do not wear the jewelry



When using the device please get away from metal, lighter and mobile phone



Please take off the belt



The shoes should not contain any metal



Stay away from the car



Stay away from electrical ground power lines or any surfacing electric

